

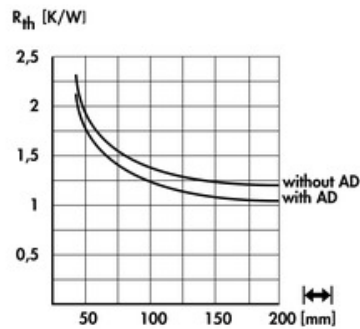
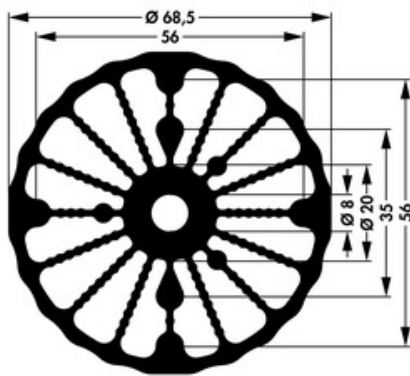
Data sheet Product SK LED 4

Heatsinks and active heatsinks for processors>Heatsinks for LEDs

Features

length:	50 mm / 75 mm / 100 mm / 150 mm / 1000 mm
thermal resistance:	2 - 1.5 K/W
surface:	<ul style="list-style-type: none"> • black anodised • natural colour anodised
adapter (optional):	adapter plate (art. no. AD LED 53)

Technical Drawing



Fischer Elektronik GmbH & Co. KG
DEUTSCHLAND • GERMANY • ALLEMAGNE

Nottebohmstraße 28
58511 Lüdenscheid

Telefon +49 2351 435-0
Telefax +49 2351 45754

info@fischerelektronik.de
www.fischerelektronik.de