

Data sheet Product LA_V_HPK4_



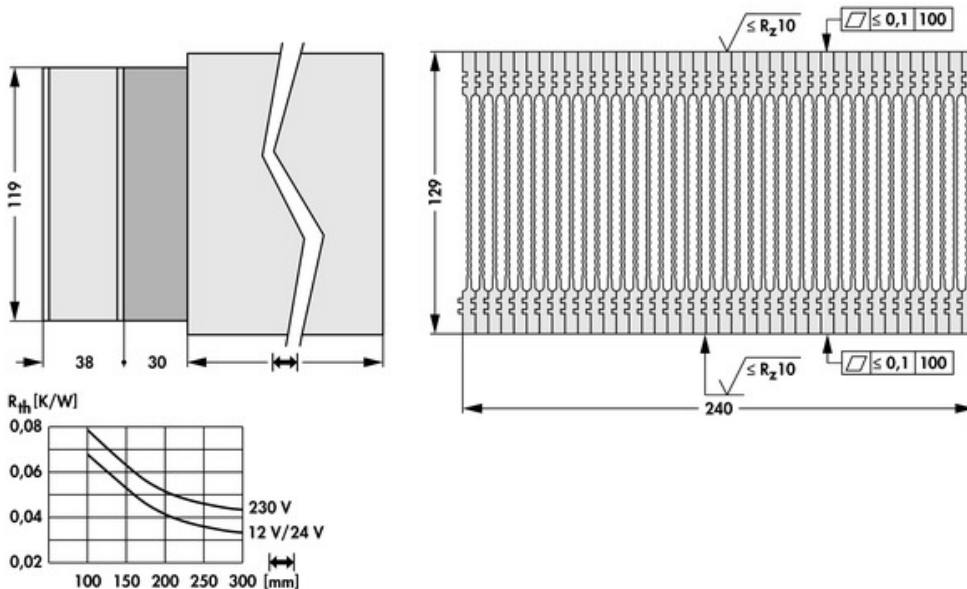
Cooling aggregates > Cooling aggregates with axial fan

- high performance cooling aggregates of special design
- optimal pressed in single lamellae
- low pressure losses due to adjusted fin geometry
- smallest fin spacings give a big heat exchange area
- maximum heatsink length 300 mm
- special designs according to drawing

Features

width:	240 mm
height:	129 mm
length:	100 mm / 150 mm / 200 mm / 250 mm / 300 mm
thermal resistance:	0.034 - 0.07 K/W
surface:	raw degreased aluminium
operating voltage of the fan motor:	<ul style="list-style-type: none"> • 12 V DC • 24 V DC • 230 V AC

Technical Drawing



Fan**ebmpapst, kugelgelagert, 12 V DC**

type:	ebmpapst 4112NH3
dimensions:	119x119x38 mm
tension:	12 V DC
power inout:	21 W
max. air volume:	310 m³/h
temperature range:	-20°C... +65°C
speed:	6,000 min⁻¹
noise level:	65 dB(A)
weight:	390 g
failure rate (L ₁₀):	L₁₀ > 60,000 h (40°C) L₁₀ > 37,500 h (tmax)

ebmpapst, kugelgelagert, 24 V DC

type:	ebmpapst 4114NH3
dimensions:	119x119x38 mm
tension:	24 V DC
power inout:	19.5 W
max. air volume:	310 m³/h
temperature range:	-20°C... +65°C
speed:	6,000 min⁻¹
noise level:	65 dB(A)
weight:	390 g
failure rate (L ₁₀):	L₁₀ > 65,000 h (40°C) L₁₀ > 37,500 h (tmax)

ebmpapst, kugelgelagert, 230 V AC

type:	ebmpapst 4656N
dimensions:	119x119x38 mm
tension:	230 V AC
power inout:	19 W
max. air volume:	160 m³/h
temperature range:	-40°C... +85°C
speed:	2,650 min⁻¹

noise level:	47 dB(A)
weight:	550 g
failure rate (L ₁₀):	L₁₀ < 37,500 h (40°C)

Fischer Elektronik GmbH & Co. KG
DEUTSCHLAND • GERMANY • ALLEMAGNE

Nottebohmstraße 28
58511 Lüdenscheid

Telefon +49 2351 435-0
Telefax +49 2351 45754

info@fischerelektronik.de
www.fischerelektronik.de