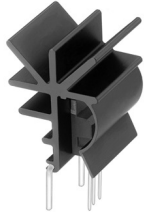


Data sheet Product FK 248 SA 220

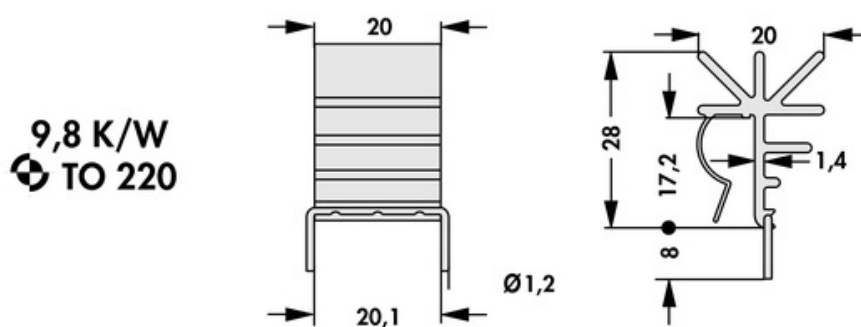


Board Level heatsinks>Attachable heatsink
for semiconductor-design TO 220

Features

| | |
|---------------------|---|
| material: | aluminium |
| for transistor: | TO 220 |
| width: | 20 mm |
| height: | 36 mm |
| length: | 20 mm |
| thermal resistance: | 9.8 K/W |
| surface: | black anodised, solder pins tin plated |
| version: | tinned solder lug/vertical installation |

Technical Drawing



Fischer Elektronik GmbH & Co. KG
DEUTSCHLAND • GERMANY • ALLEMAGNE

Nottebohmstraße 28
58511 Lüdenscheid

Telefon +49 2351 435-0
Telefax +49 2351 45754

info@fischerelektronik.de
www.fischerelektronik.de