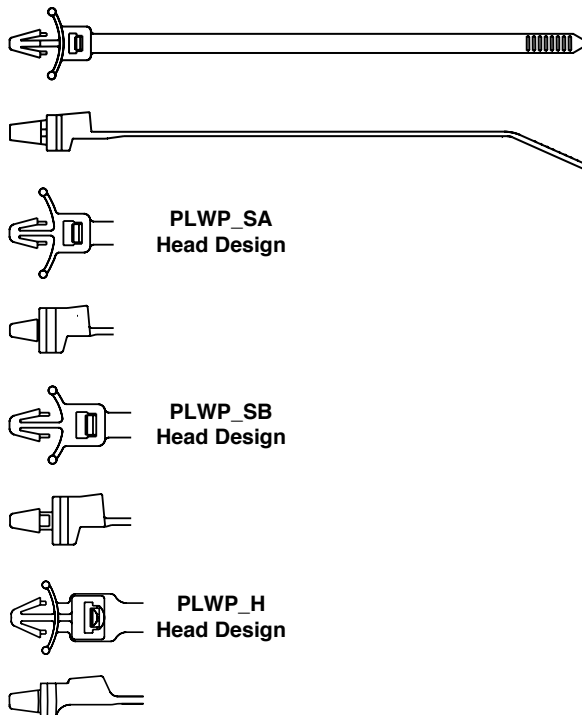


Pan-Ty® Wing Push Mount Ties – Nylon 6.6

- For indoor use
- Cable tie, mount, and fastener in a single part
- Used to attach bundles to another surface such as a flat panel
- Anchor is easily pressed into a pre-formed hole and locks in place
- Wings provide constant tension for a stable, secure, and rattle-free installation
- Curved tip is easy to pick up from flat surfaces and allows faster initial threading to speed installation



Part Number	Length		Width		Thickness		Nominal Hole Dia.		Max. Panel Thickness		Max. Bundle Dia.		Min. Loop Tensile Str.		Recommended Installation Tool	Std. Pkg. Qty.	Std. Ctn. Qty.	
	In.	mm	In.	mm	In.	mm	In.	mm	In.	mm	In.	mm	Lbs.	N				
Miniature Cross Section																		
PLWP1M-C	4.3	109	0.098	2.5	0.044	1.1	0.187	4.7	0.093	2.4	0.87	22	18	80	GTS-E, GS2B, PTS, PPTS, STS2	100	1000	
Intermediate Cross Section																		
PLWP1.5I-C	6.0	152	0.135	3.4	0.045	1.2	0.187	4.7	0.093	2.4	1.25	32	40	178	GTS-E, GS2B, PTS, PPTS, STS2	100	1000	
Standard Cross Section																		
PLWP1S-C	5.2	132	0.190	4.8	0.052	1.3	0.250	6.4	0.105	2.7	1.00	25	50	222	GTS-E, GS2B, GTH-E, GS4H, PTS, PTH, PPTS, STS2, STH2	100	1000	
PLWP1SA-D	5.1	130	0.190	4.8	0.052	1.3	0.187	4.7	0.093	2.4	1.00	25	50	222		500	5000	
PLWP1SB-D	5.2	132	0.190	4.8	0.052	1.3	0.187	4.7	0.157	4.0	1.00	25	50	222		500	5000	
PLWP1.5S-D	6.8	173	0.190	4.8	0.052	1.3	0.250	6.4	0.105	2.7	1.50	38	50	222		500	5000	
PLWP1.5SA-D	6.7	170	0.190	4.8	0.052	1.3	0.187	4.7	0.093	2.4	1.50	38	50	222		500	5000	
PLWP2S-C	7.8	198	0.190	4.8	0.052	1.3	0.250	6.4	0.105	2.7	1.75	45	50	222		100	1000	
PLWP2SA-D	7.7	196	0.190	4.8	0.052	1.3	0.187	4.7	0.093	2.4	1.75	45	50	222		500	5000	
PLWP2SB-D	7.8	198	0.190	4.8	0.052	1.3	0.187	4.7	0.157	4.0	1.75	45	50	222		500	5000	
Light-Heavy Cross Section																		
PLWP2H-TL	8.9	226	0.300	7.6	0.075	1.9	0.266	6.8	0.105	2.7	2.00	51	120	534	GTH-E, GS4H, GS4EH, PTH, STH2, ST3EH	250	2500	
PLWP3H-TL	12.0	305	0.300	7.6	0.075	1.9	0.266	6.8	0.105	2.7	3.00	76	120	534		250	2500	

Note: UL Recognized and CSA Certified except PLWP2H/3H.